



Brownells Lower Receiver Vise Block is designed to lock into the magazine well on all AR-15/M16 rifles, in both normal and inverted positions. The lower receiver can then be secured in a bench vise for all maintenance or assembly procedures. The Lower Receiver Vise Block is made of high density urethane and will not distort or harm the finish of the receiver.



WARNING



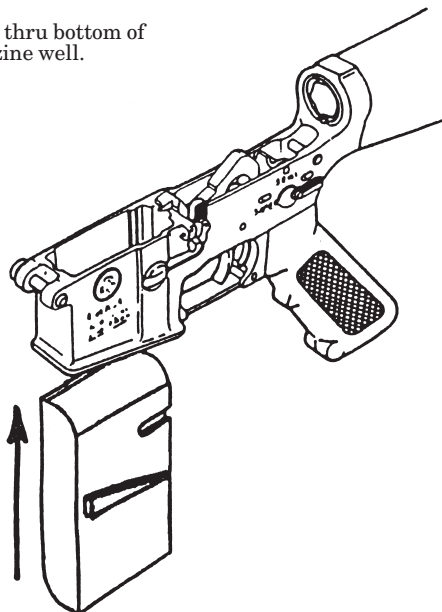
Never attempt to disassemble or reassemble a firearm unless you are absolutely certain that it is empty and unloaded. Visually inspect the chamber, the magazine and firing mechanism to be absolutely certain that no ammunition remains in the firearm. Disassembly and reassembly should follow the manufacturer's instructions. If such instructions are not immediately available, contact the manufacturer to see if they are available. If they are not available at all, then you should consult other reference sources such as reference books or persons with sufficient knowledge. If such alternative sources are not available and you have a need to disassemble or reassemble the firearm, you should proceed basing your procedures on common sense and experience with similarly constructed firearms.

With regard to the use of these tools, the advice of Brownells Incorporated is general. If there is any question as to a specific application it would be best to seek out specific advice from other sources and not solely rely on the general advice and warnings given.

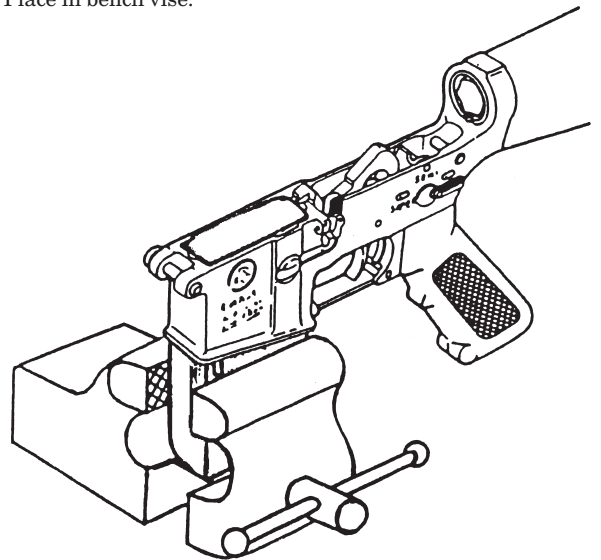
HOW TO USE

NORMAL MOUNTING PROCEDURE:

1. Insert thru bottom of magazine well.



2. Place in bench vise.



BROWNELLS®
PEACE RIVER ARMS
AR-15/M16
LOWER
RECEIVER
VISE BLOCK

#702-004-015

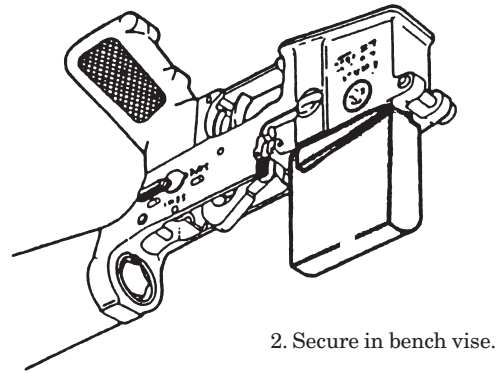
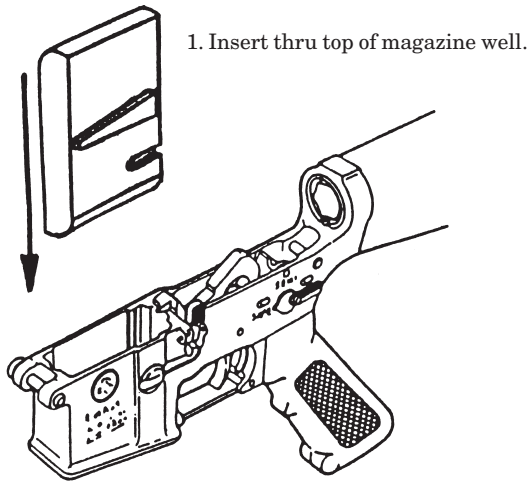


READ & FOLLOW THESE
INSTRUCTIONS

BROWNELLS

SELECTION. SERVICE. SATISFACTION.®
 200 S. Front St. Montezuma, IA 50171
 800-741-0015 or 641-623-4000 • www.brownells.com
 World's Largest Supplier of
 Firearms Accessories and Gunsmithing Tools.™

INVERTED MOUNTING PROCEDURE:



Reassemble the firearm according to the manufacturer's instructions. Check for proper functioning using **ACTION PROVING DUMMIES**. Make sure **ALL SAFETY MECHANISMS** are fully functional as designed and approved by the manufacturer. If these tests prove satisfactory, test-fire the firearm with live ammunition in a **SAFE** and **APPROPRIATE** manner. **IMPORTANT!** Start the live ammunition tests by first loading an **ACTION PROVING DUMMY**, then a live round, into the magazine. Only after several tests have been conducted in this manner should additional rounds be placed in the magazine and fired.