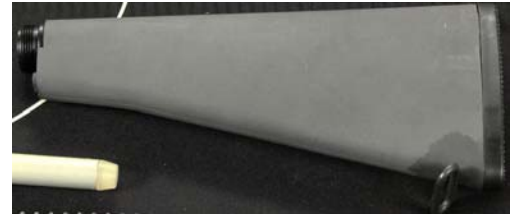


## Fixed Buttstocks

The traditional A1 and A2 fixed stock provides the shooter with a stable and less complicated stock system that's unlikely to snag during stressful shooting situations.



The A1 fixed is shorter than the A2 buttstock and there are three parts that you will need to be aware of that differ between these two types. The stock bodies are different, the A2 has a butt cap spacer, and the butt cap screws are also different. Make sure you order the correct parts for the type of stock you're going to install. All of the other parts are interchangeable.



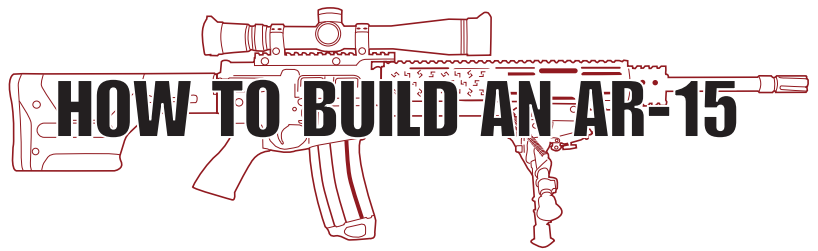
There are 15 parts that make up a fixed stock assembly, they are: action spring, buffer assembly, receiver extension, buttstock body, buttplate body, buttstock screw for either the A1 or A2, A2 butt stock spacer, butt stock door, butt stock door hinge, door hinge pin, the plunger and retainer pin, plunger spring, swivel and swivel screw.

The butt stock sub assembly parts can be ordered individually, or as kits.



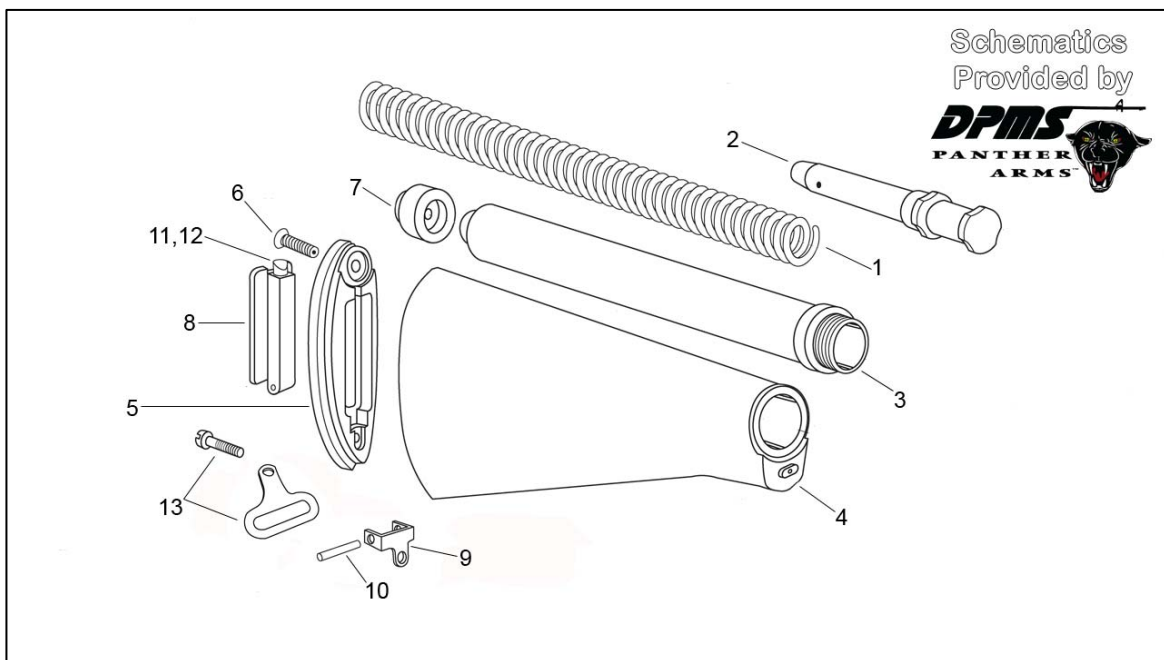
There are quite a few options for fixed butt stocks. While some of these stocks are shipped with all the necessary parts like extension tubes, buffers and springs, some only contain the actual stock itself and use your existing parts.





## Fixed Buttstocks

### FIXED BUTTSTOCKS SCHEMATIC



- |                               |                                  |
|-------------------------------|----------------------------------|
| 1. Action Spring              | 8. Butt Stock Door               |
| 2. Buffer Assembly            | 9. Butt Stock Door Hinge         |
| 3. Receiver Extension         | 10. Door Hinge Pin               |
| 4. Buttstock Body             | 11. The Plunger And Retainer Pin |
| 5. Buttplate Body             | 12. Plunger Spring               |
| 6. Buttstock Screw (A1 Or A2) | 13. Swivel And Swivel Screw      |
| 7. A2 Butt Stock Spacer       |                                  |