

Telescoping Buttstocks

The M4 style telescoping buttstock allows the shooter to adjust the stock length for different body types or situations.



There are 11 parts that make up this sub assembly; buffer assembly, action spring, lower receiver extension, receiver end plate, receiver extension nut, sliding buttstock, release lever, lock pin nut, lock pin retainer roll pin, lock release lever pin spring and pin. These parts are sold individually or as kits with a wide variety of options.

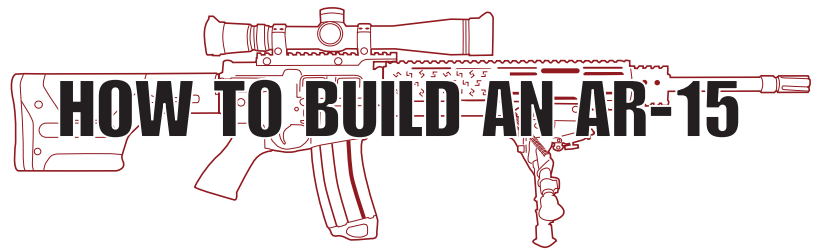
Because the buttstock is a primary point of contact there are quite a few stocks available that provide the shooter with different options like, storage compartments, adjustable cheek pieces, and Picatinny rails. Typically these buttstocks and their catch mechanisms are shipped preassembled so all you have to do is fully extend the release lever and slide it over your receiver extension. Some of these stocks also come with all the parts for the buttstock subassembly included.



There are two diameters of extension tubes out on the market. The mil spec extension has an outside diameter of 1.14" and the commercial version is a bit larger with an approximate outside diameter of 1.17". If you're going to replace your telescoping buttstock make sure it matches your existing extension tubes diameter or you'll have to replace it. Although the tube diameters for these two extensions are different, the threads that fit into the lower receiver are the same for both.

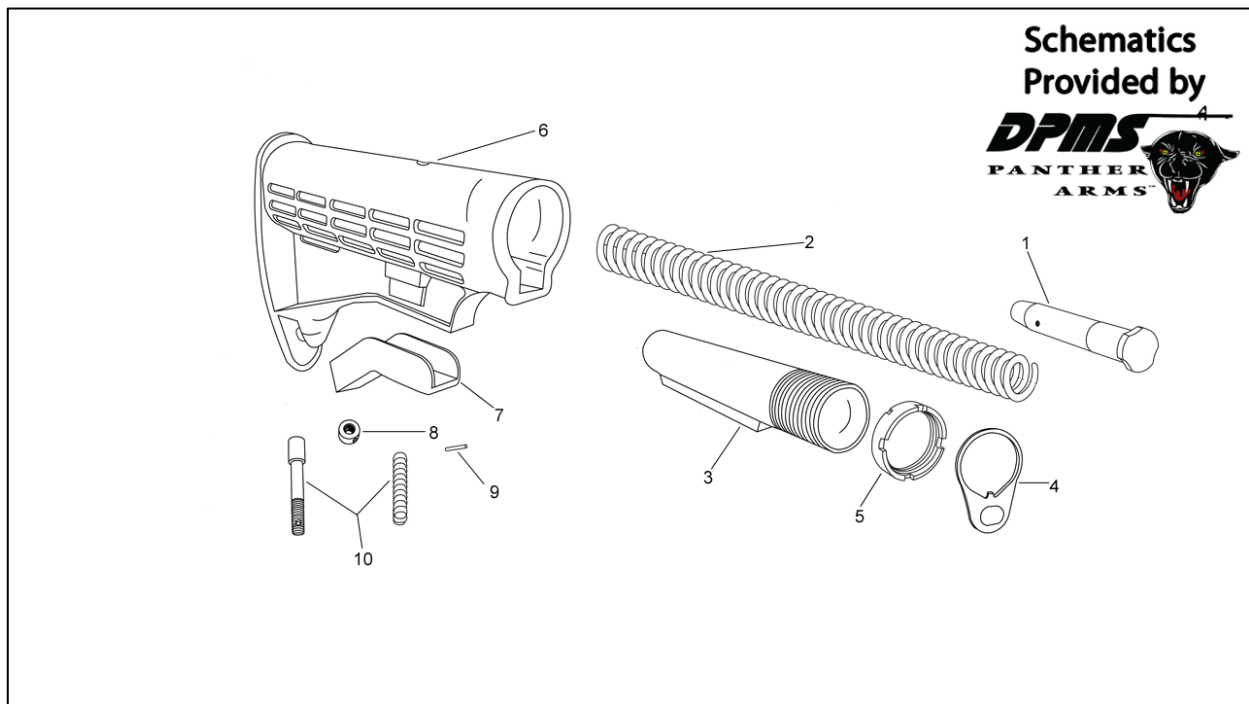
You will also encounter different types of receiver extension or "lock" nuts on the market, they are all threaded the same, but there are differences in the style of cuts that engage the installation tool; most M4 style nuts will have square cuts, some CAR and Colt nuts will have a round recess, and some will even have both. The Brownells Buttstock Tool will work with all extension tubes, fixed and telescoping stocks, and it includes pins for both round and square cuts for the M4 lock nut. Some tools don't, so make sure you have the correct tool for the job.





Telescoping Buttstocks

TELESCOPING BUTTSTOCK SCHEMATIC



1. Buffer Assembly
2. Action Spring
3. Lower Receiver Extension
4. Receiver End Plate
5. Receiver Extension Nut
6. Sliding Buttstock
7. Release Lever
8. Lock Pin Nut
9. Lock Pin Retainer Roll Pin
10. Lock Release Lever Pin Spring And Pin